



DEPARTMENT OF REGULATORY AND ECONOMIC RESOURCES (RER)  
BOARD AND CODE ADMINISTRATION DIVISION

MIAMI-DADE COUNTY  
PRODUCT CONTROL SECTION

11805 SW 26 Street, Room 208  
T (786) 315-2590 F (786) 315-2599

**NOTICE OF ACCEPTANCE (NOA)**

[www.miamidade.gov/economy](http://www.miamidade.gov/economy)

**Ultimate Door of Palm Beach, Inc.**  
**2800 2<sup>nd</sup> Avenue North**  
**Lake Worth, FL 33461**

**SCOPE:**

This NOA is being issued under the applicable rules and regulations governing the use of construction materials. The documentation submitted has been reviewed and accepted by Miami-Dade County RER - Product Control Section to be used in Miami Dade County and other areas where allowed by the Authority Having Jurisdiction (AHJ).

This NOA shall not be valid after the expiration date stated below. The Miami-Dade County Product Control Section (In Miami-Dade County) and/ or the AHJ (in areas other than Miami-Dade County) reserve the right to have this product or material tested for quality assurance purposes. If this product or material fails to perform in the accepted manner, the manufacturer will incur the expense of such testing and the AHJ may immediately revoke, modify, or suspend the use of such product or material within their jurisdiction. RER reserves the right to revoke this acceptance, if it is determined by Miami-Dade County Product Control Section that this product or material fails to meet the requirements of the applicable building code.

This product is approved as described herein, and has been designed to comply with the Florida Building Code, including the High Velocity Hurricane Zone.-

**DESCRIPTION: Series "Direct Set" Aluminum Clad Wood Fixed Window – L.M.I.**

**APPROVAL DOCUMENT:** Drawing No. 1749, titled "Aluminum Clad Wood Impact Direct Glazed Fixed Window", sheets 1 through 5 of 5, dated 04/17/12, with revision A1 dated 11/30/16, prepared by W. W. Schaefer Engineering & Consultant, P.A., signed and sealed by Warren W. Schaefer, P.E., bearing the Miami-Dade County Product Control Revision stamp with the Notice of Acceptance number and expiration date by the Miami-Dade County Product Control Section.

**MISSILE IMPACT RATING: Large and Small Missile Impact Resistant**

**LABELING:** Each unit shall bear a permanent label with the manufacturer's name or logo, city, state, series, and following statement: "Miami-Dade County Product Control Approved", unless otherwise noted herein.

**RENEWAL** of this NOA shall be considered after a renewal application has been filed and there has been no change in the applicable building code negatively affecting the performance of this product.

**TERMINATION** of this NOA will occur after the expiration date or if there has been a revision or change in the materials, use, and/ or manufacture of the product or process. Misuse of this NOA as an endorsement of any product, for sales, advertising or any other purposes shall automatically terminate this NOA. Failure to comply with any section of this NOA shall be cause for termination and removal of NOA.

**ADVERTISEMENT:** The NOA number preceded by the words Miami-Dade County, Florida, and followed by the expiration date may be displayed in advertising literature. If any portion of the NOA is displayed, then it shall be done in its entirety.

**INSPECTION:** A copy of this entire NOA shall be provided to the user by the manufacturer or its distributors and shall be available for inspection at the job site at the request of the Building Official.

This NOA revises NOA No. 16-1205.01 and consists of this page 1 and evidence pages E-1, E-2 and E-3, as well as approval document mentioned above.

The submitted documentation was reviewed by **Jorge M. Plasencia, P.E.**



*Jorge M. Plasencia*  
9/27/17

NOA No. 17-0803.04  
Expiration Date: April 16, 2022  
Approval Date: October 05, 2017  
Page 1

NOTICE OF ACCEPTANCE: EVIDENCE SUBMITTED

**1. EVIDENCE SUBMITTED UNDER PREVIOUS NOA's**

**A. DRAWINGS**

1. Manufacturer's die drawings and sections.  
*(Submitted under NOA No. 12-0410.12)*
2. Drawing No. 1749, titled "Aluminum Clad Wood Impact Direct Glazed Fixed Window", sheets 1 through 5 of 5, dated 04/17/12, with revision A1 dated 11/30/16, prepared by W.W. Schaefer Engineering & Consulting, P.A., signed and sealed by Warren W. Schaefer, P.E.

**B. TESTS**

1. Test reports on:
  - 1) Air Infiltration Test, per FBC, TAS 202-94.
  - 2) Uniform Static Air Pressure Test Loading, per FBC, TAS 202-94.
  - 3) Water Resistance Test, per FBC, TAS 202-94.
  - 4) Large Missile Impact Test, per FBC, TAS 201-94.
  - 5) Cyclic Wind Pressure Loading, per FBC, TAS 203-94.along with marked-up drawings and installation diagram of four (rectangular and curved-top) direct set wood fixed windows, and one rectangular mulled configuration, prepared by Architectural Testing, Test Report No. **B5667.01-450-18A**, dated 05/03/12, signed and sealed by Vinu J. Abraham, P.E.  
*(Submitted under NOA# 12-0410.12)*

**C. CALCULATIONS**

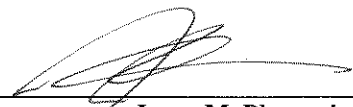
1. Anchor verification calculations and structural analysis, complying with **FBC-5<sup>th</sup> Edition (2014)**, dated 05/27/11 and updated on 11/30/16, prepared by W. W. Schaefer Engineering & Consultant, P.A., signed and sealed by Warren W. Schaefer, P.E.
2. Glazing complies with **ASTM E1300-04**

**D. QUALITY ASSURANCE**

1. Miami-Dade Department of Regulatory and Economic Resources (RER).

**E. MATERIAL CERTIFICATIONS**

1. Notice of Acceptance No. **14-0916.11** issued to **Kuraray America, Inc.** for their "**SentryGlas® (Clear and White) Glass Interlayers**" dated 06/25/15, expiring on 07/04/18.



Jorge M. Plasencia, P.E.  
Product Control Unit Supervisor  
NOA No. 17-0803.04  
Expiration Date: April 16, 2022  
Approval Date: October 05, 2017

Ultimate Door of Palm Beach, Inc.

NOTICE OF ACCEPTANCE: EVIDENCE SUBMITTED

**F. STATEMENTS**

1. Statement letter of conformance, complying with the **FBC 5<sup>th</sup> Edition (2014)**, dated 11/30/16, issued by W. W. Schaefer Engineering & Consultant, P.A., signed and sealed by Warren W. Schaefer, P.E.
2. Statement letter of independence and of no financial interest, dated 11/30/16, issued by W. W. Schaefer Engineering & Consultant, P.A., signed and sealed by Warren W. Schaefer, P.E.
3. Laboratory compliance letter for Test Report No. **B5667.01-450-18A**, issued by Architectural Testing, dated 05/03/12, signed and sealed by Vinu J. Abraham, P.E. *(Submitted under NOA# 12-0410.12)*

**G. OTHERS**

1. Notice of Acceptance No. **14-0424.03**, issued to Ultimate Door of Palm Beach, Inc. for their Series "Direct Set" Aluminum Clad Wood Fixed Window – L.M.I., approved on 06/26/14 and expiring on 04/16/17.

**2. NEW EVIDENCE SUBMITTED**

**A. DRAWINGS**

1. None.

**B. TESTS**

1. None.

**C. CALCULATIONS**

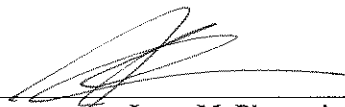
1. None.

**D. QUALITY ASSURANCE**

1. Miami-Dade Department of Regulatory and Economic Resources (RER).

**E. MATERIAL CERTIFICATIONS**

1. Notice of Acceptance No. **14-0916.11** issued to **Kuraray America, Inc.** for their "SentryGlas® (Clear and White) Glass Interlayers" dated 06/25/15, expiring on 07/04/18.

  
\_\_\_\_\_  
Jorge M. Plasencia, P.E.  
Product Control Unit Supervisor  
NOA No. 17-0803.04  
Expiration Date: April 16, 2022  
Approval Date: October 05, 2017

**Ultimate Door of Palm Beach, Inc.**

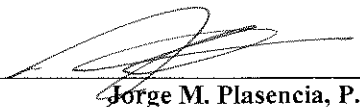
**NOTICE OF ACCEPTANCE: EVIDENCE SUBMITTED**

**F. STATEMENTS**

1. Statement letter of conformance to **FBC 5<sup>th</sup> Edition (2014)** and **FBC 6<sup>th</sup> Edition (2017)**, dated 07/21/17, issued by W. W. Schaefer Engineering & Consultant, P.A., signed and sealed by Warren W. Schaefer, P.E.

**G. OTHERS**

1. This NOA revises NOA #16-1205.01, expiring on 04/16/22.



---

**Jorge M. Plasencia, P.E.**  
**Product Control Unit Supervisor**  
**NOA No. 17-0803.04**  
**Expiration Date: April 16, 2022**  
**Approval Date: October 05, 2017**

**GENERAL NOTES:**

1. THIS PRODUCT HAS BEEN TESTED, ANALYZED & APPROVED FOR DESIGN PRESSURES NOT TO EXCEED THOSE SHOWN IN THE "ALLOWABLE DESIGN PRESSURE TABLE(S)".
2. OPENINGS, BUCKING & BUCKING FASTENERS MUST BE PROPERLY DESIGNED & INSTALLED TO TRANSFER WIND LOADS TO THE STRUCTURE.
3. ALL HARDWARE & FASTENERS SHALL BE IN ACCORDANCE WITH THESE DRAWINGS & SHALL NOT VARY UNLESS SPECIFICALLY MENTIONED ON THE DRAWINGS. SPECIFIED ANCHOR EMBED TO BASE MATERIAL SHALL BE BEYOND WALL FINISH OR STUCCO.
4. THE DETAILS & SPECIFICATIONS SHOWN HEREIN REPRESENT THE PRODUCTS TESTED & PROPOSED FOR CONFORMANCE WITH THE FLORIDA BUILDING CODE PROTOCOLS TAS-201, 202 & 203 FOR LARGE MISSILE IMPACT PRODUCTS.
5. THIS PRODUCT HAS BEEN DESIGNED IN ACCORDANCE WITH AND MEETS THE REQUIREMENTS OF THE FLORIDA BUILDING CODE (FBC) INCLUDING HIGH VELOCITY HURRICANE ZONES (HVHZ).
6. IMPACT SHUTTERS ARE NOT REQUIRED WITH THIS PRODUCT.
7. ALL ANCHORS SECURING PRODUCT FRAMES TO PRESSURE TREATED BUCKS OR WOOD FRAMING SHALL BE CAPABLE OF RESISTING CORROSION CAUSED BY THE PRESSURE TREATING CHEMICALS IN THE WOOD.
8. DETERMINE THE POSITIVE & NEGATIVE DESIGN LOADS TO USE WHEN REFERENCING THESE DOCUMENTS IN ACCORDANCE WITH THE GOVERNING CODE AND GOVERNING WIND VELOCITY. FOR WIND LOAD CALCULATIONS IN ACCORDANCE WITH THE FLORIDA BUILDING CODE, A DIRECTIONALITY FACTOR OF  $K_d = 0.85$  MAY BE APPLIED PER THE ASCE-7 STANDARD.
9. NO INCREASE IN ALLOWABLE STRESS HAS BEEN USED IN THE CERTIFICATION OF THIS PRODUCT. WIND LOAD DURATION FACTOR  $C_d = 1.6$  WAS USED FOR WOOD SCREW ANALYSIS ONLY.
10. MATERIALS, INCLUDING BUT NOT LIMITED TO STEEL SCREWS, THAT COME INTO CONTACT WITH OTHER DISSIMILAR MATERIALS SHALL MEET THE REQUIREMENTS OF FLORIDA BUILDING CODE.
11. ALL WOOD MEMBERS OF THIS PRODUCT THAT MAY POSSIBLY COME INTO CONTACT WITH MASONRY OR CONCRETE SUBSTRATES, ARE SUBJECT TO MOISTURE &/OR ARE SUBJECT TO THE OUTSIDE ENVIRONMENT SHALL BE OF AN APPROVED DURABLE SPECIES OR BE TREATED IN AN APPROVED METHOD WITH AN APPROVED PRESERVATIVE PER FBC REQUIREMENTS.

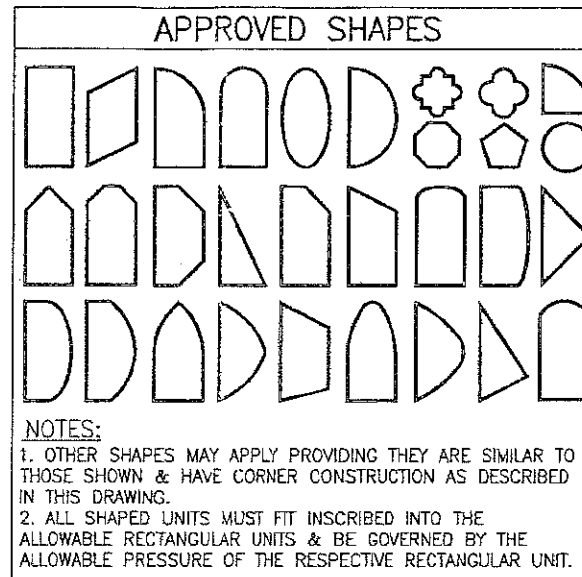
**CORNER CONSTRUCTION:**

**WOOD FRAME:** MEMBERS ARE COPED, BUTTED AND JOINED WITH (1) ONE NO. 10 X 3 1/2" GALVANIZED WOOD SCREW THROUGH THE HORIZONTAL FRAME MEMBERS INTO THE VERTICAL MEMBERS & (2) TWO NO. 8 X 2 1/2" GALVANIZED WOOD SCREWS THROUGH THE VERTICAL MEMBER INTO THE HORIZONTAL MEMBERS. CORNERS SEALED WITH DOW 795.

**FRAME CLAD:** MEMBERS ARE MITERED AND JOINED WITH (2) TWO NO. 6 X 2" SMS SCREWS INTO THE SCREW SPLINE. CORNERS ARE SEALED WITH DOW 795 SILICONE SEALANT.

THESE DRAWINGS ARE APPLICABLE ONLY TO THE PRODUCT SPECIFIED. THEY MAY NOT BE USED FOR THE ASSEMBLY AND/OR INSTALLATION OF ANY OTHER PRODUCT NOR MAY THEY BE USED FOR RATIONAL AND/OR LOCAL APPROVAL OF ANY PRODUCT NOT PRODUCED BY THE MANUFACTURER STATED ON THESE DRAWINGS.

DRAWN BY: W.R.M.	CHECKED BY: W.W.S.
PLOT: 1-24	DATE: 04/17/12



**FRAME ANCHOR REQUIREMENTS TABLE**

OPENING TYPE (SUBSTRATE)	FRAME/FIN TO OPENING FASTENER TYPE	MINIMUM EMBED	MINIMUM EDGE DIST.
<b>FRAME SCREWS</b>			
MIN. 2X4 WOOD FRAME OR BUCK (MIN. GR. 3 & G=0.55)	NO. 12 SMS OR WOOD SCREW	1 1/4"	7/8"
MIN. 16 GA. 33 KSI METAL STUD	NO. 12 GR. 5 SELF TAP/DRILL SCREW	FULL	1/2"
MIN. 1/8" THK A36 STEEL	NO. 12 GR. 5 SELF TAP/DRILL SCREW	FULL	1/2"
MIN. 1/8" THK 6063-T5 ALUM.	NO. 12 GR. 5 SELF TAP/DRILL SCREW	FULL	1/2"
MIN. C-90 CMU OR 2500 PSI CONCRETE	(1) 1/4" CONCRETE SCREW	1 1/4"	2"
<b>NAILING FIN FASTENERS</b>			
MIN. 2X4 WOOD FRAME OR BUCK (MIN. GR. 3 & G=0.55)	NO. 8 SMS SCREW	1 1/8"	1/2"
MIN. 1/8" THK A36 STEEL	NO. 8 GR. 5 SELF TAP/DRILL SCREW	FULL	1/2"
MIN. 1/8" THK 6063-T5 ALUM.	NO. 8 GR. 5 SELF TAP/DRILL SCREW	FULL	1/2"
(1) CONCRETE SCREWS SHALL BE ELCO ULTRACONS (C.S.), ELCO CRETE-FLEX (S.S.) OR HILTI KWIK-CON II (C.S OR S.S.).			

MAY BE 1/2" MIN. WHEN SCREW IS ANGLED INTO BUCK AS SHOWN IN SECTION A2/4.

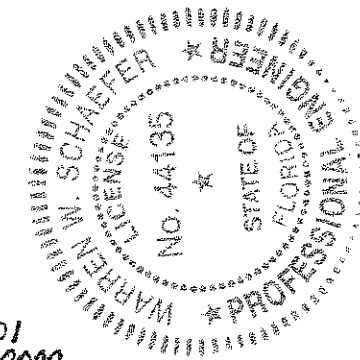
**PRODUCT REVISED**  
as complying with the Florida Building Code  
NOA-No. **17-0803.04**

Expiration Date **04/16/2022**

By *[Signature]*  
Miami-Dade Product Control

PRODUCT REVISED  
as complying with the Florida Building Code  
Acceptance No **16-1205.01**  
Expiration Date **April 16, 2022**

By *[Signature]*  
Miami-Dade Product Control



DRAWING TITLE: ALUMINUM CLAD WOOD IMPACT DIRECT GLAZED FIXED WINDOW  
 MANUFACTURER: ULTIMATE DOOR OF PALM BEACH, INC.  
 2800 2ND AVE. NORTH  
 LAKE WORTH, FL 33461  
 561-642-2828  
 CONSULTANTS: W. W. SCHAEFER ENGINEERING & CONSULTING, P.A. (CA 6809)  
 7480 150TH COURT NORTH  
 PALM BEACH GARDENS, FL 33418  
 PHONE: 561-744-3424

CERTIFICATION	NOV 30 2016
DRAWING NO.	1749
REV.	A
SHEET NO.	1 of 5

**ALLOWABLE SINGLE WINDOW SIZE/PRESSURE TABLE (GLASS OPTIONS 1 & 3)**

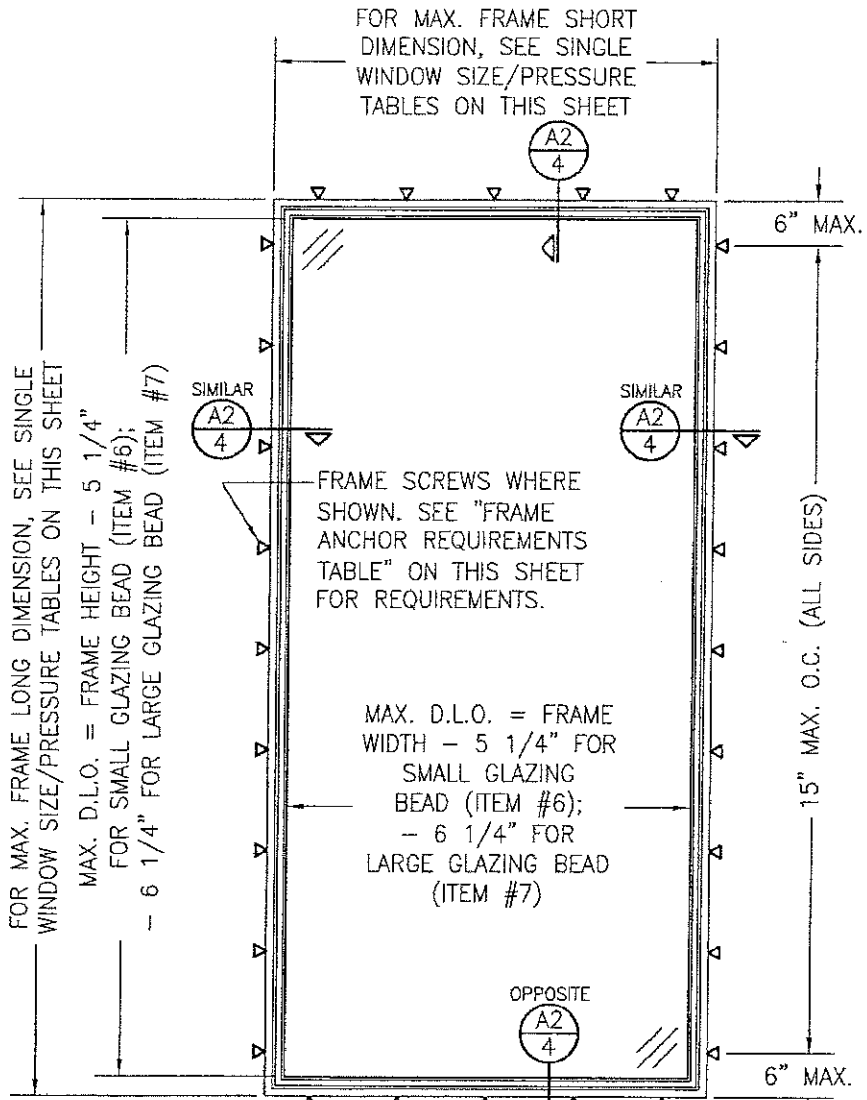
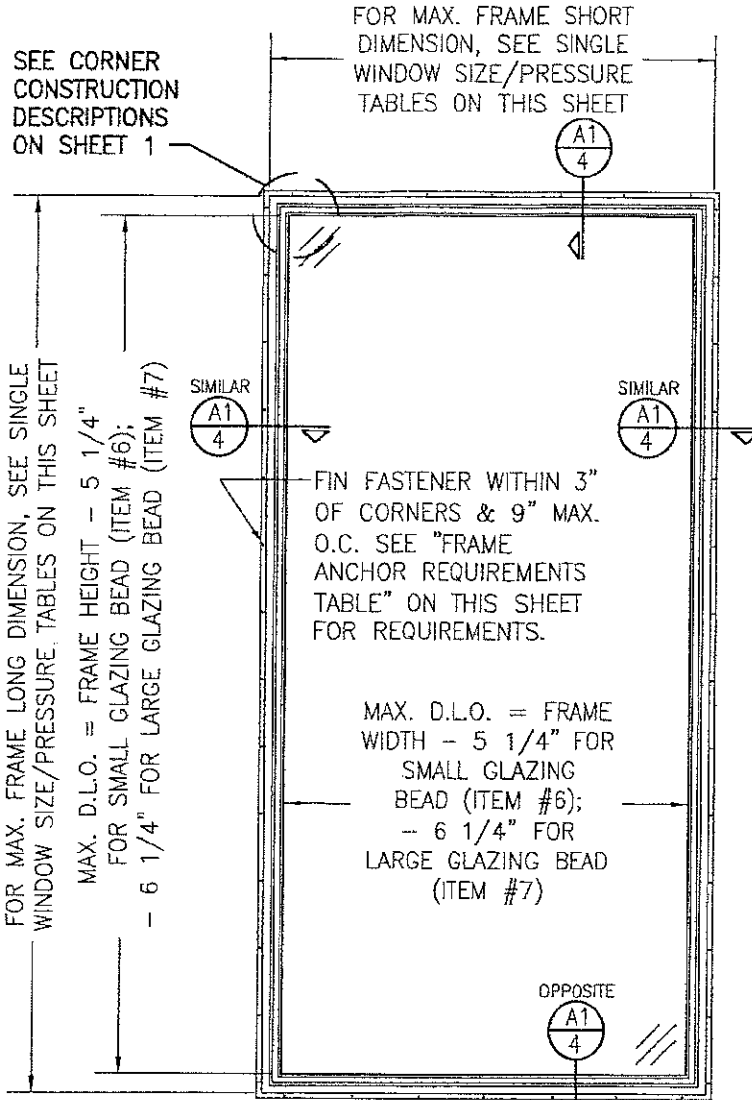
MAXIMUM FRAME LONG DIMENSION (IN.)	MAXIMUM FRAME SHORT DIMENSION (IN.)	ALLOWABLE PRESSURE (PSF)	
		POS.	NEG.
144	32	65.0	65.0
	30	65.0	69.3
	27	65.0	75.0
132	34	65.0	66.7
	30	65.0	75.0
120	38	65.0	65.7
	36	65.0	69.3
108	42	65.0	66.0
	37	65.0	75.0
100	46	63.8	63.8
	42	65.0	70.5
96	38	65.0	75.0
	48	65.0	65.0
90	42	65.0	71.3
	39	65.0	75.0
84	48	65.0	66.5
	42	65.0	72.7
78	40	65.0	75.0
	48	65.0	68.3
72	42	65.0	74.3
	41	65.0	75.0
66	48	65.0	70.4
	42	65.0	75.0
66	48	65.0	73.1
	45	65.0	75.0
66	48	65.0	75.0

1. WINDOW SIZES SHOWN ARE MAXIMUM SIZES. SMALLER SIZES SHALL APPLY TO LOADS EQUAL TO THE NEAREST LARGER SIZE SHOWN IN TABLE.  
 2. LONG DIMENSION MAY BE HORIZONTAL OR VERTICAL  
 3. DIMENSIONS SHOWN ARE +/- 1/2".

**ALLOWABLE SINGLE WINDOW SIZE/PRESSURE TABLE (GLASS OPTIONS 2 & 4)**

MAXIMUM FRAME LONG DIMENSION (IN.)	MAXIMUM FRAME SHORT DIMENSION (IN.)	ALLOWABLE PRESSURE (PSF)	
		POS.	NEG.
144	50	75.0	75.0
	44	75.0	85.0
132	54 1/2	75.0	75.0
	48	75.0	85.0
120	60	75.0	75.0
	52	75.0	85.0
108	66 3/4	75.0	75.0
	52	75.0	85.0
100	72	75.0	75.0
	52	75.0	85.0

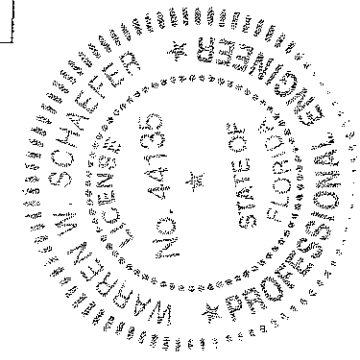
1. WINDOW SIZES SHOWN ARE MAXIMUM SIZES. SMALLER SIZES SHALL APPLY TO LOADS EQUAL TO THE NEAREST LARGER SIZE SHOWN IN TABLE.  
 2. LONG DIMENSION MAY BE HORIZONTAL OR VERTICAL



RECTANGULAR WINDOWS SHOWN. SHAPED WINDOWS ALSO APPLY. SEE "APPROVED SHAPES TABLE ON SHEET 1". ANCHORING OF SHAPED WINDOWS IS THE SAME WITH REQUIRED ANCHOR SPACING ALONG THE FRAME CIRCUMFERENCE BEING THE SAME AS SPECIFIED FOR A STRAIGHT FRAME.

**PRODUCT REVISED**  
 as complying with the Florida Building Code  
 NOA-No. **17-0803.04**  
 Expiration Date **04/16/2022**  
 By *[Signature]*  
 Miami-Dade Product Control

**PRODUCT REVISED**  
 as complying with the Florida Building Code  
 Acceptance No. **16-1225.01**  
 Expiration Date **Apr 16, 2022**  
 By *[Signature]*  
 Miami-Dade Product Control

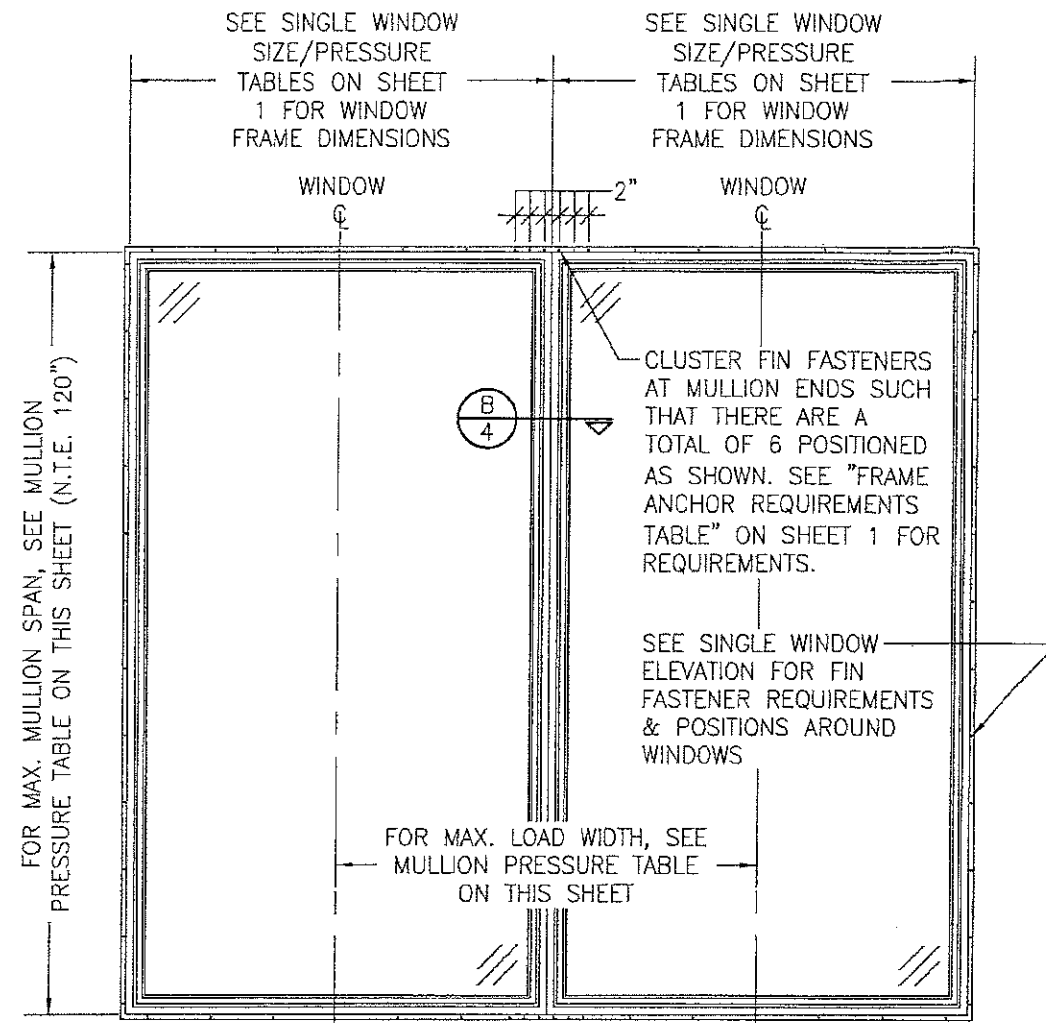


DRAWN BY: W.R.M.	CHECKED BY: W.W.S.
PLOT: 1-24	DATE: 04/17/12
DATE	
BY	
REVISION DESCRIPTION	
NO.	
DRAWING TITLE <b>ALUMINUM GLAD WOOD IMPACT DIRECT GLAZED FIXED WINDOW</b>	
CONSULTANTS <b>W. W. SCHAEFER ENGINEERING &amp; CONSULTING, P.A. (CA 6809)</b> 7480 150TH COURT NORTH PALM BEACH GARDENS, FL 33418 PHONE: 561-744-3424	
MANUFACTURER <b>ULTIMATE DOOR OF PALM BEACH, INC.</b> 2800 2ND AVE. NORTH LAKE WORTH, FL 33461 561-642-2828	
CERTIFICATION <b>NOV 30 2016</b>	REV. <b>A</b>
DRAWING NO. <b>1749</b>	
SHEET NO. <b>2 OF 5</b>	

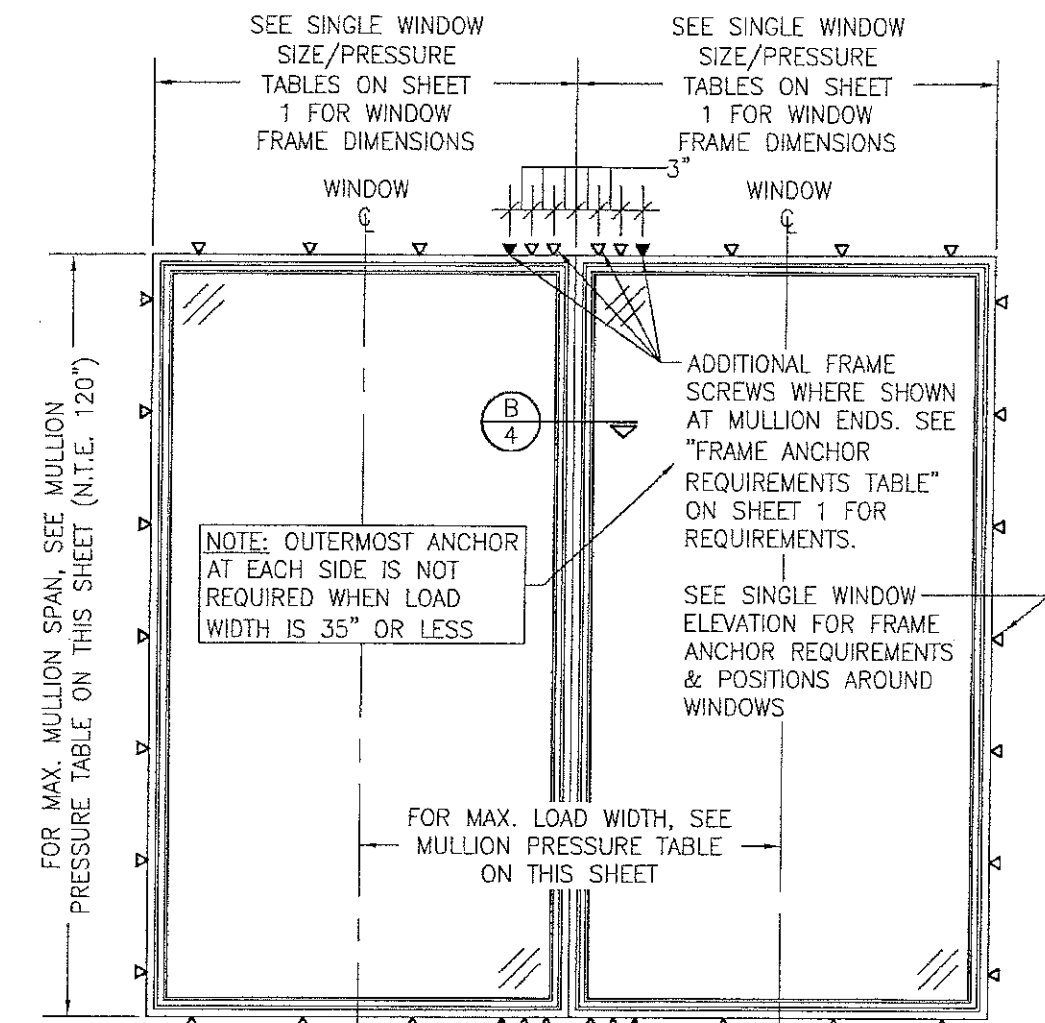
**MULLION ALLOWABLE DESIGN PRESSURE**

MAXIMUM MULLION SPAN (IN.)	MAXIMUM LOAD WIDTH (IN.)	ALLOWABLE PRESSURE (PSF)	
		POS.	NEG.
120	60	45.5	45.5
	54	49.8	49.8
	48	55.0	55.0
	42	62.2	62.2
	40	65.0	65.0
	36	65.0	70.8
108	33	65.0	75.0
	66	52.5	52.5
	60	55.6	55.6
	54	59.4	59.4
	48	64.5	64.5
	42	65.0	71.2
102	39	65.0	75.0
	70	55.4	55.4
	66	57.1	57.1
	60	60.2	60.2
	54	64.2	64.2
	48	65.0	69.4
96	43	65.0	75.0
	72	60.2	60.2
	66	62.5	62.5
	60	65.0	65.7
	54	65.0	69.8
	48	65.0	75.0
90	72	65.0	66.9
	66	65.0	69.1
	60	65.0	72.2
84	55	65.0	75.0
	72	65.0	75.0

**NOTES:**  
 1. SEE ELEVATIONS FOR DIMENSIONING OF LOAD WIDTH.  
 2. ALLOWABLE UNIT PRESSURE SHALL BE THE LESSER OF THE PRESSURE SHOWN IN THIS TABLE & THAT SPECIFIED FOR THE INDIVIDUAL WINDOW.



**EXTERIOR ELEVATION:  
 MULTIPLE FIXED WINDOWS**  
 SCALE: 1/2" = 1'-0"  
 (NAIL FIN MOUNT CONDITION)

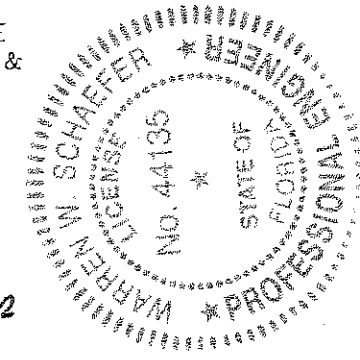


**EXTERIOR ELEVATION:  
 MULTIPLE FIXED WINDOWS**  
 SCALE: 1/2" = 1'-0"  
 (FRAME SCREW MOUNT CONDITION)

- MULTIPLE UNIT NOTES:**
1. FOR ALL DETAIL NOT SHOWN, SEE SINGLE WINDOW ELEVATIONS.
  2. MULLION MAY BE HORIZONTAL OR VERTICAL PROVIDING UNIT SIZES ARE RESTRICTED AS SHOWN IN THIS ELEVATION.
  3. WINDOWS MAY BE STACKED HORIZONTAL OR VERTICAL. TO INSURE THAT THE DEAD WEIGHT OF THE ABOVE WINDOW(S) WILL NOT CAUSE UNDO STRESS ON THE BELOW WINDOW, WHEN VERTICALLY STACKED, THE MANUFACTURER/INSTALLER SHALL LIMIT THE SAG OF THE HORIZONTAL MULLION TO MAX. 1/8".
  4. THERE IS NO LIMIT ON THE NUMBER OF WINDOWS THAT MAY BE COMBINED IN ONE DIRECTION INTO ONE OPENING PROVIDING THE OPENING IS DESIGNED TO SUPPORT ALL LOADS TRANSFERRED FROM THE WINDOWS & THEIR MULLIONS.
  5. INDIVIDUAL WINDOW SIZES SHALL BE RESTRICTED AS SPECIFIED IN THE SINGLE WINDOW ELEVATIONS.
  6. RECTANGULAR WINDOWS SHOWN. SHAPED WINDOWS ALSO APPLY UNDER THE SAME CONDITIONS SHOWN FOR RECTANGULAR.

**PRODUCT REVISED**  
 as complying with the Florida Building Code  
 NOA-No. **17-0803.04**  
 Expiration Date **04/16/2022**  
 By *[Signature]*  
 Miami-Dade Product Control

PRODUCT REVISED  
 as complying with the Florida Building Code  
 Acceptance No. **16-1205.01**  
 Expiration Date **April 16, 2022**  
 By *[Signature]*  
 Miami-Dade Product Control



DRAWN BY: W.R.M.	CHECKED BY: W.B.S.
PLLOT: 1=24	DATE: 04/17/12
DATE	
BY	
REVISION DESCRIPTION	
NO.	

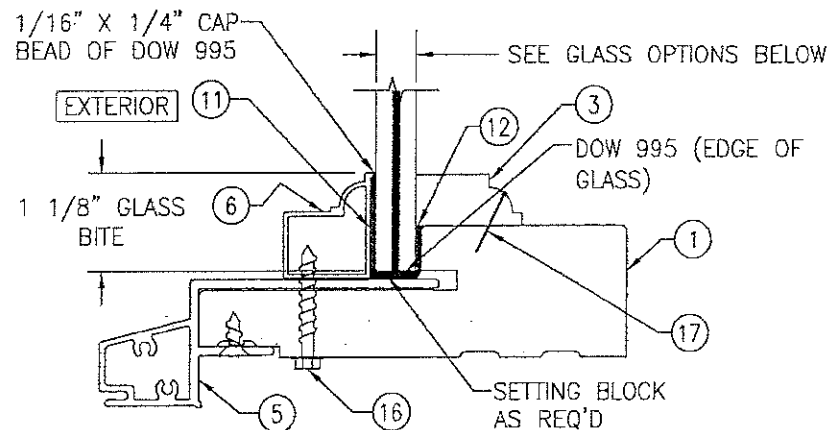
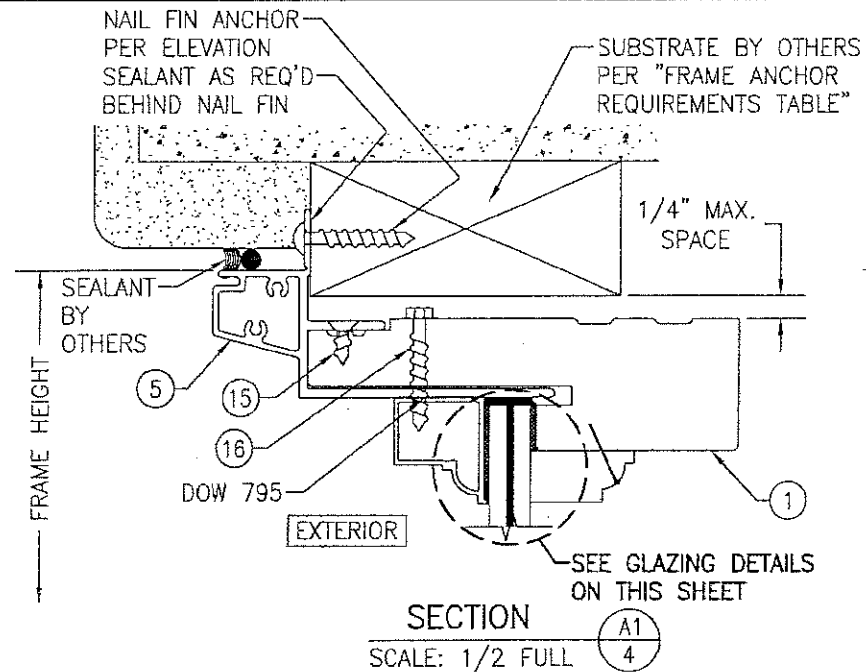
**DRAWING TITLE**  
 ALUMINUM CLAD WOOD IMPACT DIRECT GLAZED FIXED WINDOW

**MANUFACTURER**  
 ULTIMATE DOOR OF PALM BEACH, INC.  
 2800 2ND AVE. NORTH  
 LAKE WORTH, FL 33461  
 561-642-2828

**CONSULTANTS**  
 W. W. SCHAEFER ENGINEERING & CONSULTING, P.A. (CA 6809)  
 7480 150TH COURT NORTH  
 PALM BEACH GARDENS, FL 33418  
 PHONE: 561-744-3424

**CERTIFICATION**  
 NOV 30 2016  
 WARREN W. SCHAEFER, P.E.  
 P.E. NO. 44135

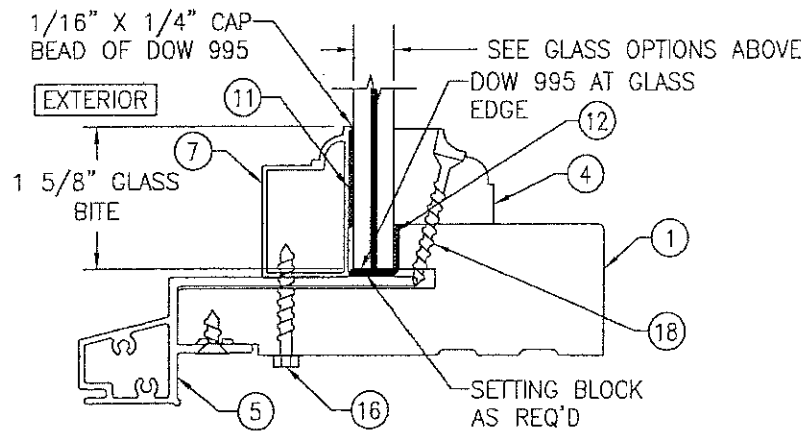
DRAWING NO. 1749	REV. A
SHEET NO. 3 OF 5	



TYPICAL MONOLITHIC GLAZING DETAIL WITH SMALL GLAZING BEAD

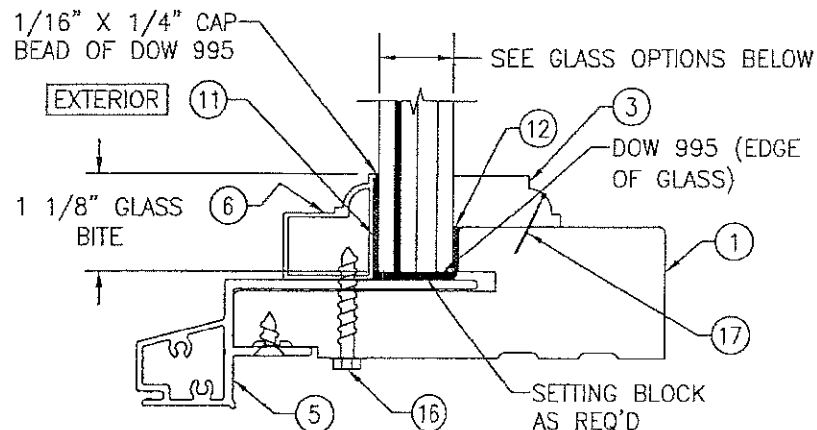
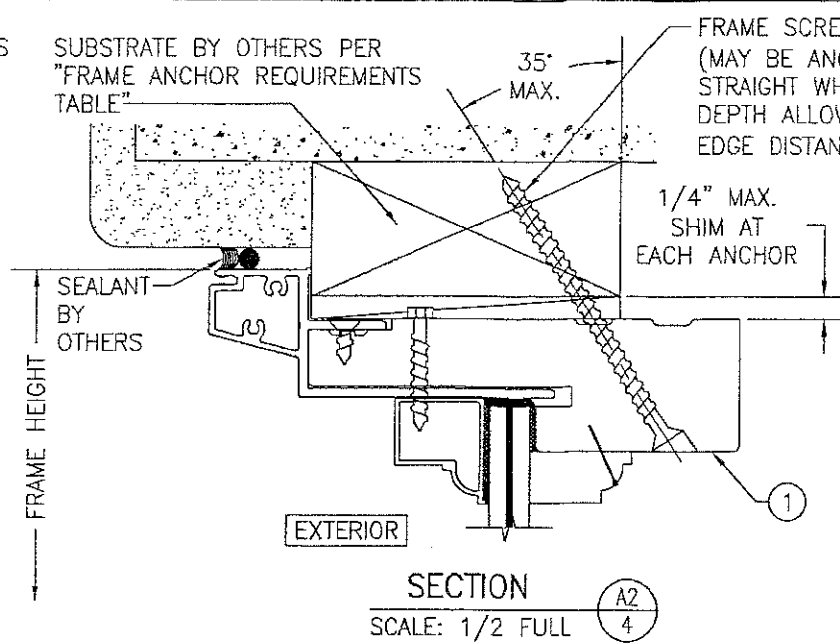
**MONOLITHIC GLASS OPTIONS:**

- OPTION 1: 7/16" LAMINATED GLASS (3/16" AN./0.090 KURARAY SG/3/16" AN.)
- OPTION 2: 7/16" LAMINATED GLASS (3/16" HT. ST./0.090 KURARAY SG/3/16" HT. ST.)



TYPICAL MONOLITHIC GLAZING DETAIL WITH LARGE GLAZING BEAD

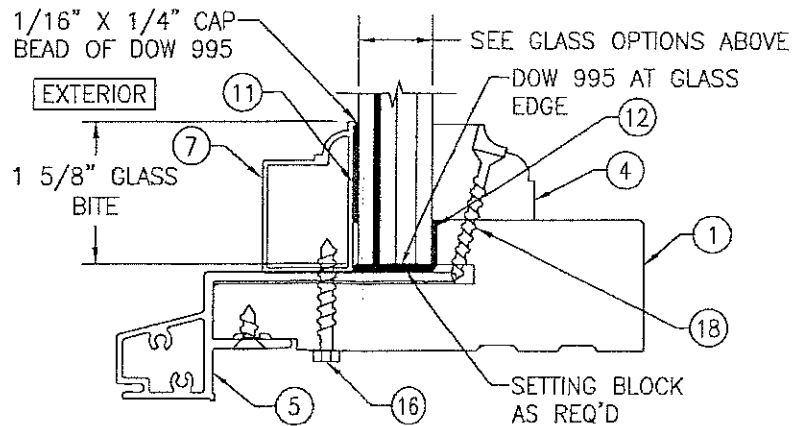
(NOT APPLICABLE WITH SHAPED WINDOWS)



TYPICAL I.G. GLAZING DETAIL WITH SMALL GLAZING BEAD

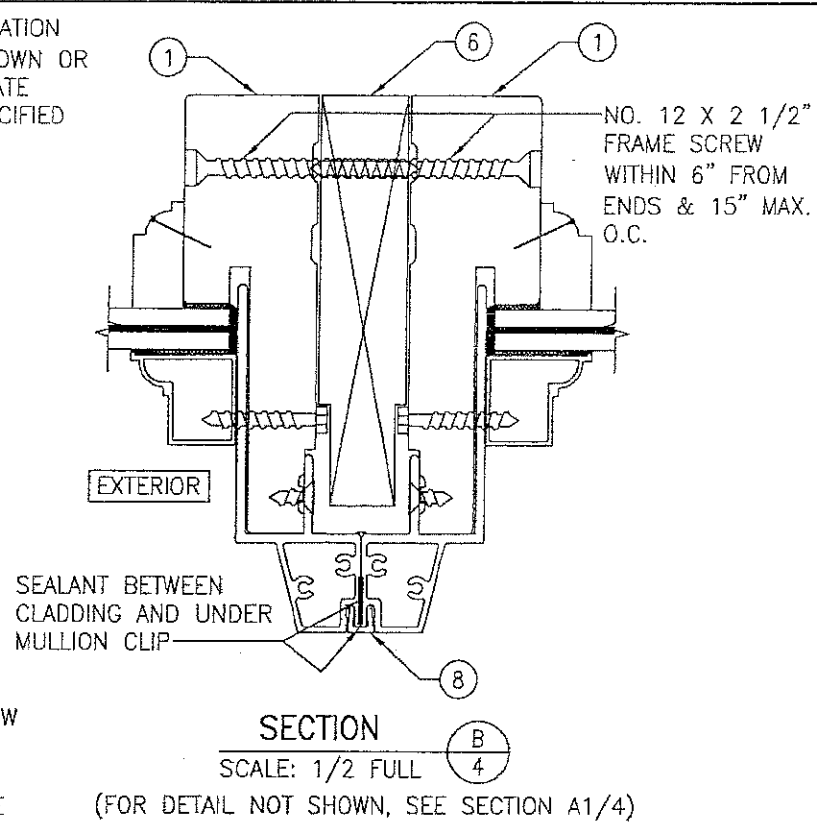
**I.G. GLASS OPTIONS:**

- OPTION 3: 7/8" LAMINATED GLASS (3/16" AN./0.090 KURARAY SG/3/16" AN./1/4" AIR SPACE/3/16" TEMP.)
- OPTION 4: 7/8" LAMINATED GLASS (3/16" HT. ST./0.090 KURARAY SG/3/16" HT. ST./1/4" AIR SPACE/3/16" TEMP.)



TYPICAL I.G. GLAZING DETAIL WITH LARGE GLAZING BEAD

(NOT APPLICABLE WITH SHAPED WINDOWS)



**PRODUCT REVISED**  
as complying with the Florida Building Code  
NOA-No. 17-0803.04  
Expiration Date 04/16/2022  
By *[Signature]*  
Miami-Dade Product Control



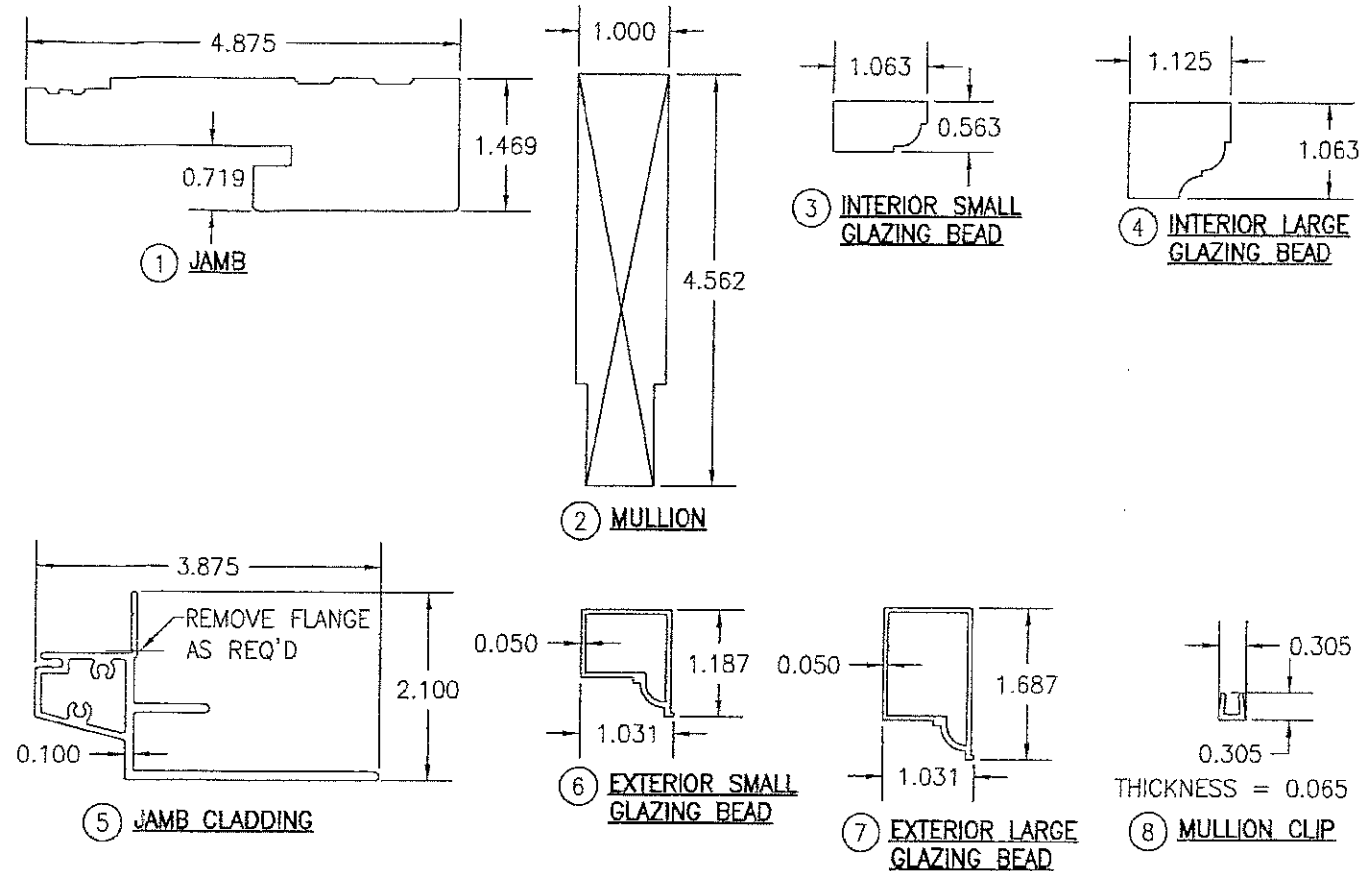
PRODUCT REVISED  
as complying with the Florida Building Code  
Acceptance No 16-1205.01  
Expiration Date April 16, 2022  
By *[Signature]*  
Miami-Dade Product Control

DRAWN BY: W.R.M.	CHECKED BY: W.W.S.
PLDT: 1-2	DATE: 04/17/12
NO.	REVISION DESCRIPTION
DATE	BY
DRAWING TITLE ALUMINUM CLAD WOOD IMPACT DIRECT GLAZED FIXED WINDOW	
CONSULTANTS W. W. SCHAEFER ENGINEERING & CONSULTING, P.A. (CA 6809) 7480 150TH COURT NORTH PALM BEACH GARDENS, FL 33418 PHONE: 561-744-3424	MANUFACTURER ULTIMATE DOOR OF PALM BEACH, INC. 2800 2ND AVE, NORTH LAKE WORTH, FL 33461 561-642-2828
CERTIFICATION NOV 30 2016	WARREN W. SCHAEFER, P.E. P.E. NO. 44136
DRAWING NO. 1749	REV. A
SHEET NO. 4	OF 5



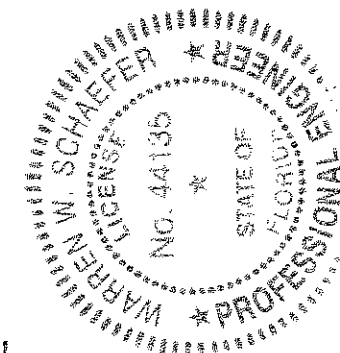
ITEM #	ITEM DESCRIPTION	MANUFACTURER/NOTES
PARTS		
1	JAMB	WOOD
2	MULLION	WOOD
3	INTERIOR SMALL GLAZING BEAD	WOOD
4	INTERIOR LARGE GLAZING BEAD	WOOD
5	JAMB CLADDING	6063-T5 ALUMINUM
6	EXTERIOR SMALL GLAZING BEAD	6063-T5 ALUMINUM
7	EXTERIOR LARGE GLAZING BEAD	6063-T5 ALUMINUM
8	MULLION CLIP	6063-T5 ALUMINUM
SEALS & SEALANTS		
11	GLAZING TAPE 1/16" X 7/8"	SAINT GOBIAN V2862
12	GLAZING TAPE 1/16" X 1/2"	SAINT GOBIAN V2862
FASTENERS		
15	NO. 6 X 3/4" SMS	WITHN 2" FROM CORNERS & 12" MAX. O.C.
16	NO. 10 X 1 1/4" HEX HEAD TEK SCREW	WITHN 2" FROM ENDS & 9" MAX. O.C.
17	18 GA. X 3/4" BRAD NAIL	WITHN 2" FROM CORNERS & 9" MAX. O.C.
18	NO. 7 X 1 5/8" TRIM SCREW	WITHN 2" FROM CORNERS & 9" MAX. O.C.

NOTE: WOOD USED IN TESTING WAS PONDEROSA PINE WITH A SPECIFIC GRAVITY OF G = 0.43 AND A MODULUS OF ELASTICITY OF E = 1,200,000 PSI. OTHER WOOD SPECIES APPLICABLE FOR USE WITH THIS PRODUCT ARE THOSE WITH A SPECIFIC GRAVITY OF 0.43 AND MODULUS OF ELASTICITY OF 1,200,000 PSI OR GREATER. ALL WOOD IS MINIMUM GRADE 2 MILLED BY ULTIMATE DOOR TO SELECT.



**PRODUCT REVISED**  
 as complying with the Florida  
 Building Code  
 NOA-No. 17-0803.04  
 Expiration Date 04/16/2022  
 By *[Signature]*  
 Miami-Dade Product Control

PRODUCT REVISED  
 as complying with the Florida  
 Building Code  
 Acceptance No. 16-1205.01  
 Expiration Date April 16, 2022  
 By *[Signature]*  
 Miami-Dade Product Control



DRAWN BY: W.R.M.	CHECKED BY: W.W.S.
PLOT: 1-2	DATE: 04/17/12
DATE	
BY	
REVISION DESCRIPTION	
NO.	

DRAWING TITLE: ALUMINUM CLAD WOOD IMPACT DIRECT GLAZED FIXED WINDOW  
 MANUFACTURER: ULTIMATE DOOR OF PALM BEACH, INC.  
 2800 2ND AVE. NORTH  
 LAKE WORTH, FL 33461  
 561-642-2828  
 CONSULTANTS: W. W. SCHAEFER ENGINEERING & CONSULTING, P.A. (CA 6809)  
 7480 150TH COURT NORTH  
 PALM BEACH GARDENS, FL 33418  
 PHONE: 561-744-3424

CERTIFICATION  
 NOV 30 2016  
 WARREN W. SCHAEFER, P.E.  
 P.E. NO. 44135

DRAWING NO. 1749	REV. A
SHEET NO. 5 OF 5	